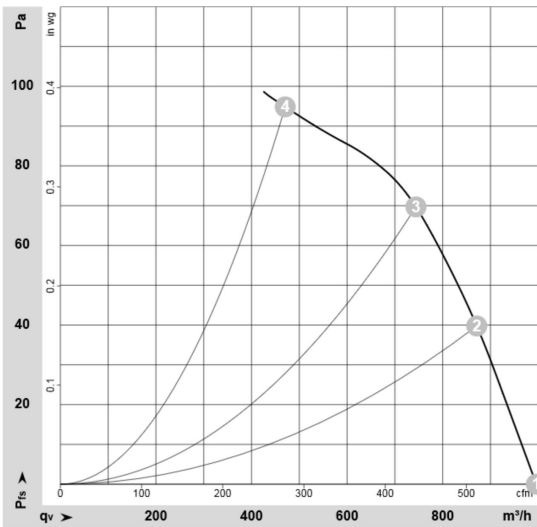
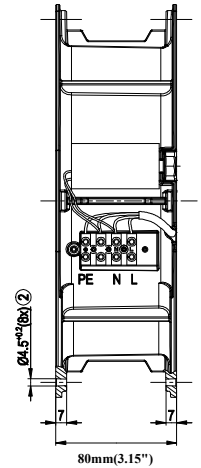
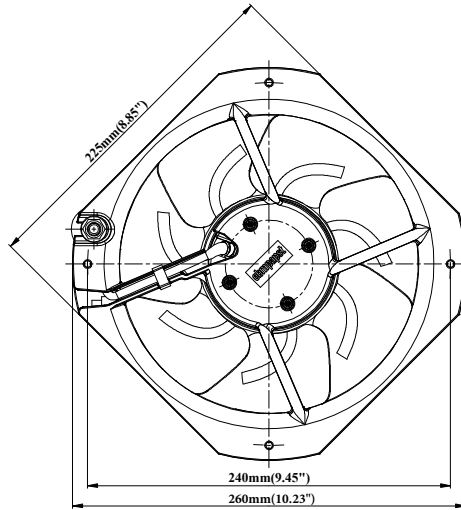




## 8 INCH AXIAL FAN



	U	f	n	P <sub>e</sub>	I	q <sub>v</sub>	p <sub>fs</sub>	q <sub>v</sub>	p <sub>fs</sub>
	V	Hz	min <sup>-1</sup>	W	A	m <sup>3</sup> /h	Pa	cfm	in. wg
1	115	60	2980	67	0.58	995	0	585	0.00
2	115	60	2855	72	0.63	870	40	515	0.16
3	115	60	2760	76	0.66	745	70	440	0.28
4	115	60	2665	79	0.69	470	95	275	0.38

U = Power supply · f = Frequency · n = Speed (rpm) · P<sub>e</sub> = Power consumption · I = Current draw · q<sub>v</sub> = Air flow · p<sub>fs</sub> = Pressure increase