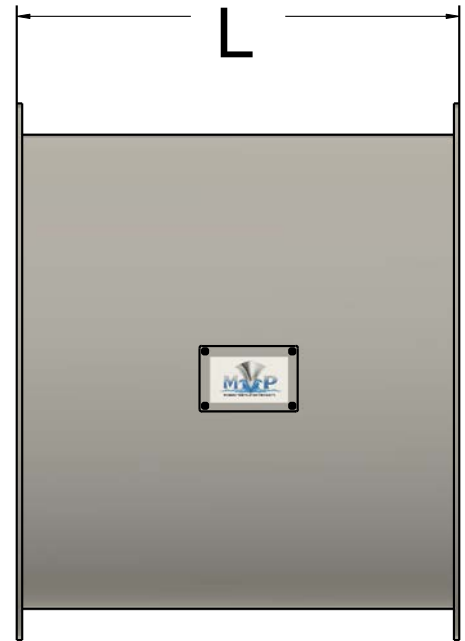
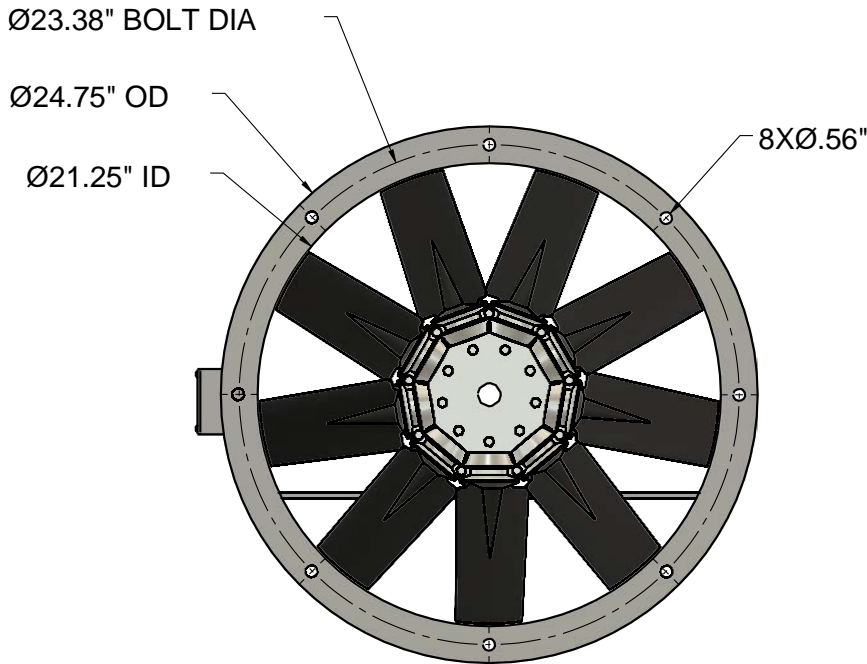


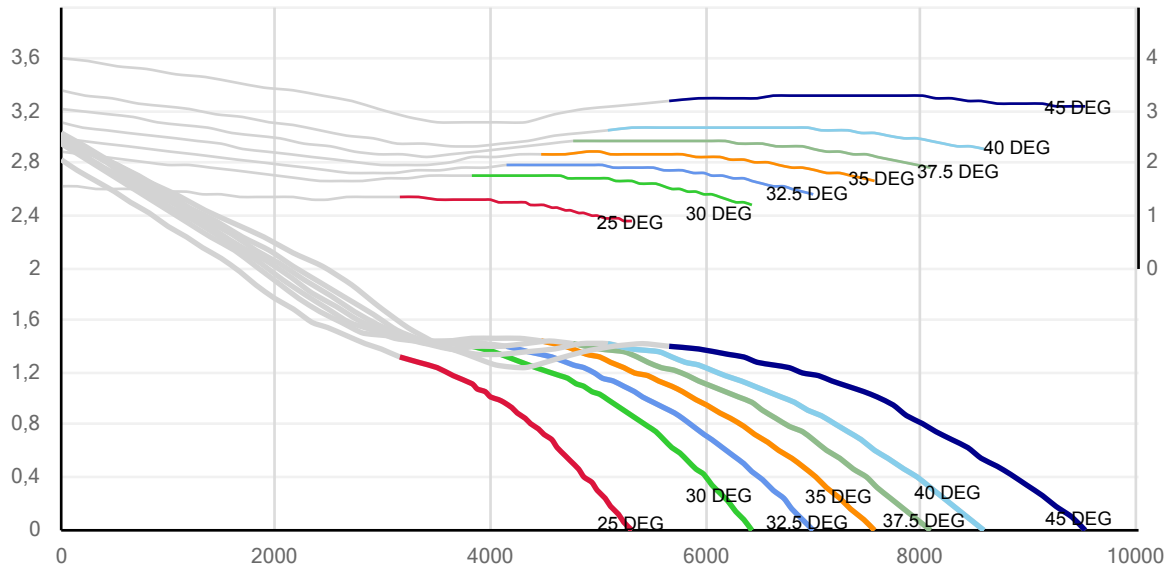


21 INCH TUBE AXIAL FANS

HP	L
1 ½	16.2"
2	16.2"
3	18.6"



Pressure (p) [inH2O]



Power consumption (Pw) [hp]

Air flow (Q) [cu.ft/min]